

## SFS-CNLO410.0L

4 Head 10 Litres (CN)

Build to Weigh- Engineered to Last

## SINGLE VIBRATOR



### High-Precision Vibratory Feeding

Controlled vibration delivers a smooth, consistent flow of material for highly accurate weighing.

### Dynamic Feed Rate Adjustment

SmartFill auto adjusts vibration intensity on real time load cell feedback to optimize speed and accuracy.

### Multi-Stage Filling

Fast bulk feed transitions into fine and dribble feed for exact target weight achievement with minimal product giveaway.

### HMI Touchscreen Interface

User-friendly, multilingual interface for recipe management, real-time monitoring, and system control. Supports Various Industry 4.0 protocols for smart factory ecosystems.

### Material Flexibility

Capable of handling a wide variety of products like freeflowing granules, powders, small parts, and fragile items.

### Low Maintenance, Long Lifespan

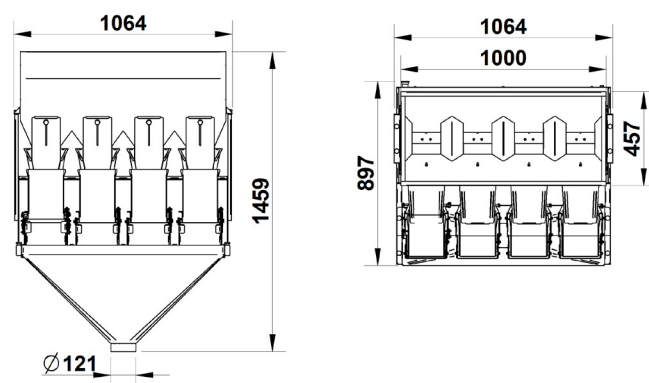
Solid-state vibratory feeders with minimal moving parts, designed for extended service intervals and reduced downtime.

<b>Bucket Capacity</b>	10.0 liters
<b>Feeding Hopper volume</b>	155 liters
<b>Weighing Range*</b>	1000-5000 grams
<b>Accuracy*</b>	+/- 5~10 grams
<b>Production Output* (Speed)</b>	18-20 bags / minute
<b>Operating Panel</b>	Touchscreen HMI 7 Inches
<b>Power Supply</b>	AC 230V +/- 10%, 50/60 Hz
<b>No of Preset Programs</b>	100
<b>Control System</b>	Embedded
<b>Material Of Construction***</b>	All contact parts SS-304. Body Parts MS Powder coated
<b>Machine Dimensions (L x W x H)</b>	1064 x 897 x 1459 mm
<b>Machine Weight**</b>	Approx 146 Kgs
<b>Optional Accessories</b>	Customized Structure, Funnel, Elevator, Belt Sealer
<b>Optional Models</b>	SFS-CNL0210.0L SFS-CNL045.0L SFS-CNL025.0L

\*Depends on product shape, bulk density, target weight & feeding conditions etc.

\*\*The machine weight varies depending upon the options selected

\*\*\*Complete SS-304 and SS-316 are available on request



TECHNICAL INFORMATION IS BASED UPON INFORMATION AVAILABLE AS OF MAY-2025. CONFIRMATION IS PROVIDED BY SALES INQUIRY. PHOTOGRAPHS AND APPLICATION SHOTS MAY NOT BE EXACT REPRESENTATION

