

BULK WEIGHER WITH PNEUMATIC DROP GATE



SFBW-200G01

1 Head 200 Litres



Bucket Capacity	200.0 liters
Feeding Hopper volume	314 Litres
Weighing Range*	5 Kg to 10 Kg
Weighing Accuracy*	+/- 10~20 grams
Production Output (Speed)	4-5 bags / minute
Operating Panel	Touchscreen HMI 7 Inches
Power Supply	AC 230V +/- 10%, 50/60 Hz
No of Preset Programs	20
Control System	Embedded
Material Of Construction**	All contact parts SS-304. Body Parts MS Powder coated
Machine Dimensions (L x W x H)	1066 x 1034 x 2404 mm
Machine Weight***	Approx 290 Kgs
Air Consumption	5 Bar / 3.5 CFM
Optional Accessories	Customized Structure, Funnel, Elevator, Belt Sealer

*Depends on product shape, bulk density, target weight & feeding conditions etc.

**The machine weight varies depending upon the options selected

***Complete SS-304 and SS-316 are available on request

Build to Weigh- Engineered to Last

fortis

Where Accuracy Meets High Throughput.

High-Capacity Precision Weighing

Engineered for large-volume operations with ultra-low error margins, even under dynamic loading conditions.

Dynamic Flow Adjustment

Intelligent flow control automatically adjusts feeder speeds and valve operations based on real-time weight feedback.

High-Speed Bulk and Dribble Modes

Dual-stage filling ensures maximum throughput — fast bulk filling followed by slow, precise dribble for fine accuracy.

Automated Calibration and Zero Tracking

Smart self-calibration routines and auto-zero tracking eliminate manual recalibration efforts.

Customizable Filling Profiles

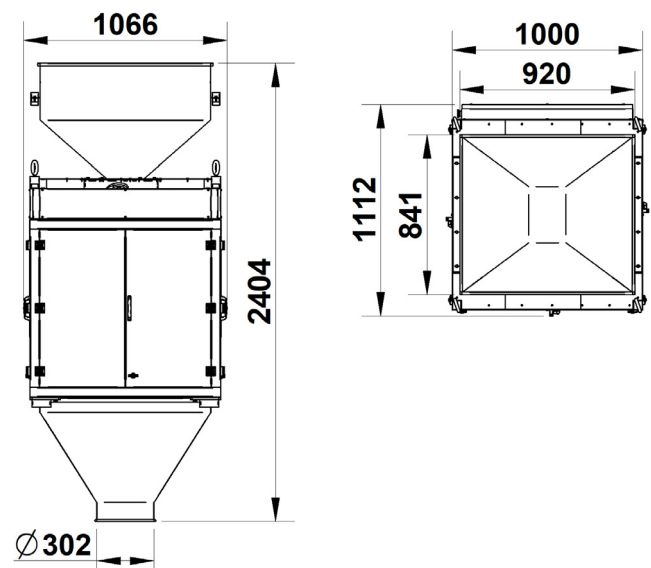
Configure and store multiple bulk material profiles for quick setup changes based on material type, flow rate, and target weights.

Rugged Industrial Build

Designed with heavy-duty frames, dust-proof enclosures, and corrosion-resistant finishes for extreme environments.

Touchscreen HMI

Intuitive touchscreen interface, supporting various protocols for seamless factory integration supporting IIOT 4.0.



TECHNICAL INFORMATION IS BASED UPON INFORMATION AVAILABLE AS OF MAY-2025. CONFIRMATION IS PROVIDED BY SALES INQUIRY. PHOTOGRAPHS AND APPLICATION SHOTS MAY NOT BE EXACT REPRESENTATION

