

# BULK WEIGHER WITH PNEUMATIC CUT GATE FEEDER

## SFBW-50VG01

1 Head 50 Litres



<b>Bucket Capacity</b>	50.0 liters
<b>Feeding Hopper volume</b>	198 Litres
<b>Weighing Range*</b>	5 Kg to 25 Kg
<b>Weighing Accuracy*</b>	+/- 10~20 grams
<b>Production Output (Speed)</b>	4-6 bags / minute
<b>Operating Panel</b>	Touchscreen HMI 7 Inches
<b>Power Supply</b>	AC 230V +/- 10%, 50/60 Hz
<b>No of Preset Programs</b>	20
<b>Control System</b>	Embedded
<b>Material Of Construction**</b>	All contact parts SS-304. Body Parts MS Powder coated
<b>Machine Dimensions (L x W x H)</b>	985 x 785 x 1979 mm
<b>Machine Weight ***</b>	Approx 162 Kgs
<b>Air Consumption</b>	5 Bar / 3.5 CFM
<b>Optional Accessories</b>	Customized Structure, Funnel, Elevator, Belt Sealer

\*Depends on product shape, bulk density, target weight & feeding conditions etc.

\*\*The machine weight varies depending upon the options selected

\*\*\*Complete SS-304 and SS-316 are available on request

Build to Weigh- Engineered to Last

fortis advance

Where Accuracy Meets High Throughput.

### High-Capacity Precision Weighing

Engineered for large-volume operations with ultra-low error margins, even under dynamic loading conditions.

### Dynamic Flow Adjustment

Intelligent flow control automatically adjusts feeder speeds and valve operations based on real-time weight feedback.

### High-Speed Bulk and Dribble Modes

Dual-stage filling ensures maximum throughput — fast bulk filling followed by slow, precise dribble for fine accuracy.

### Automated Calibration and Zero Tracking

Smart self-calibration routines and auto-zero tracking eliminate manual recalibration efforts.

### Customizable Filling Profiles

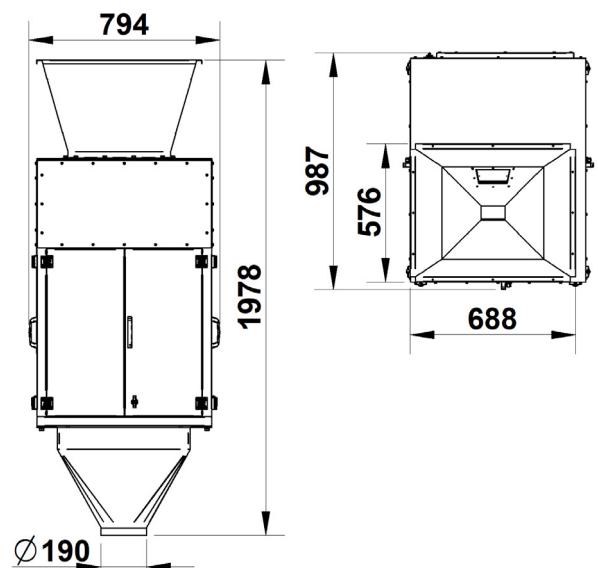
Configure and store multiple bulk material profiles for quick setup changes based on material type, flow rate, and target weights.

### Rugged Industrial Build

Designed with heavy-duty frames, dust-proof enclosures, and corrosion-resistant finishes for extreme environments.

### Touchscreen HMI

Intuitive touchscreen interface, supporting various protocols for seamless factory integration supporting IIOT 4.0.



TECHNICAL INFORMATION IS BASED UPON INFORMATION AVAILABLE AS OF MAY-2025. CONFIRMATION IS PROVIDED BY SALES INQUIRY. PHOTOGRAPHS AND APPLICATION SHOTS MAY NOT BE EXACT REPRESENTATION

